

# QP-100 Series USB Charging Port

Dual USB Charging Port with Auxiliary Charging Port

**QUIET POWER**<sup>®</sup>  
A division of Summit Avionics



The **QUIET POWER**<sup>®</sup> QP™ Series Dual USB Charging Port is designed specifically for aircraft cockpit and cabin installation and is compatible with both standard and high-power USB. Simultaneously charges two USB powered devices, including cell phones, tablets, radios, ADS-B receivers and GPS devices.

An Auxiliary Charging Port is available in the QP101-QP104 series products, producing 5, 9, 11 or 12 Volts DC. This port is provided to trickle charge remote devices such as hand-held radios, auxiliary / back-up flashlights and instruments, or an additional USB charging port. Fly with confidence knowing that your backup equipment is fully charged.

| Model    | USB Port   | Auxiliary Port | Lighting    |
|----------|------------|----------------|-------------|
| QP-100   | Dual 5 VDC | n/a            | Non-Lighted |
| QP-101   | Dual 5 VDC | 5 VDC          | Non-Lighted |
| QP-102   | Dual 5 VDC | 9 VDC          | Non-Lighted |
| QP-103   | Dual 5 VDC | 11 VDC         | Non-Lighted |
| QP-104   | Dual 5 VDC | 12 VDC         | Non-Lighted |
| QP-100-L | Dual 5 VDC | n/a            | Lighted     |
| QP-101-L | Dual 5 VDC | 5 VDC          | Lighted     |
| QP-102-L | Dual 5 VDC | 9 VDC          | Lighted     |
| QP-103-L | Dual 5 VDC | 11 VDC         | Lighted     |
| QP-104-L | Dual 5 VDC | 12 VDC         | Lighted     |

## FEATURES

|                                 |   |
|---------------------------------|---|
| <b>Input Voltage Range</b>      | 10 – 36 VDC   |
| <b>USB Output Voltage</b>       | 5 VDC   |
| <b>Auxiliary Output Voltage</b> | 5, 9, 11 or 12 VDC  |
| <b>Case Material</b>            | Machined Aircraft Aluminum                                  |
| <b>Origin</b>                   | Designed and Manufactured in Twinsburg, Ohio, USA           |
| <b>Protection</b>               | Over-current, short circuit and over-temperature protection |
| <b>Mounting</b>                 | Panel or Cabin  |
| <b>Orientation</b>              | Any   |
| <b>Efficiency</b>               | 87% (Average)   |
| <b>Warranty</b>                 | 2 years   |

# QP-100 Series USB Charging Port

Dual USB Charging Port with Auxiliary Charging Port

## SPECIFICATIONS

### Input Voltage:

|        |               |
|--------|---------------|
| QP-100 | 10 – 36 VDC   |
| QP-101 | 10 – 36 VDC   |
| QP-102 | 10 – 36 VDC   |
| QP-103 | 13.2 – 36 VDC |
| QP-104 | 13.2 – 36 VDC |

### Input Current: (QP-104)

31 W max; 2.2 amps at 14 VDC, 1.1 amps at 28 VDC

### Output Current/Voltage:

#### USB

-Top Port

2.1 amps @ 5 VDC  $\pm$  0.2 VDC

-Bottom Port

1.0 amps @ 5 VDC  $\pm$  0.2 VDC

Auxiliary Port (model dependent)

1.0 amps @ 5, 9, 11 or 12 VDC  $\pm$  0.2 VDC

### Efficiency:

87% Average

### Weight:

0.2 lbs

### Dimensions:

1.4" W x 1.8" H x 1.4" D

### USB Port Type:

USB Standard – A

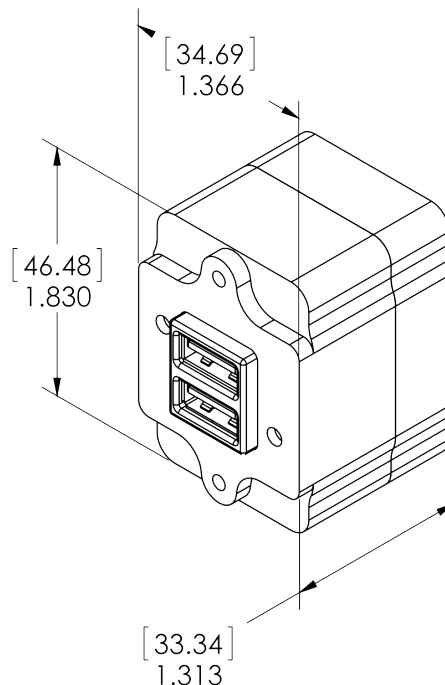
### RTCA DO-160G Qualified

Temperature and Altitude - A1

Temperature Variation - C

Power Input - B(xx)

Emission of Radio Frequency Energy - M



Copyright 2015, QUIET POWER®, All rights reserved - Specifications subject to change without notice

2225 East Enterprise Pkwy. ♦ Twinsburg, Ohio USA 44087 ♦ Phone (330) 425-1440 ♦ Email support@quietpower.aero

P/N 91-790001 REV. 5